



PLASTEC VENTILATION, INC.

www.plastecvent.net Phone: 941-751-7596 Fax: 941-751-7598

Submittal Data and Specifications

Adjustable Butterfly Dampers

Material of Construction and Temperature Limitation:

Body, damper plate and shaft shall be made of PVC. Locking quadrant and fasteners shall be made of stainless steel. Adjustable Damper recommended up to 140° F.

Application:

Designed to operate in ducting where highly corrosive air is present. Designed to fit round schedule 40 PVC ducting or other construction materials as specified by the dimensions listed for each model damper.



Manufacturer:

Shall be manufactured under the authority of Plastec Ventilation, Inc.

Shall have the following Features and Benefits:

- All internal parts are plastic
- Furnished with locking quadrant damper allowing for permanent position set
- Allows for less than 5% airflow restriction
- Offers an approximate 95% seal
- 90° damper plate operation
- Can be installed either vertically or horizontally
- Shall have bell end sockets and shall have minimum socket depth of 2 inches or more except on the 4 inch model which will be 1.75 inches

Warranty:

This equipment is warranted to be free from defects in material and workmanship for two years from date of original shipment. For the complete warranty agreement, see I, O & M on www.plastecvent.net.

PROJECT			ARCHITECT	
CONTRACTOR	DATE	SUBMITTED BY		ENGINEER
SPECIFICATION				
RELATED FAN POSITION	MODEL #	QTY	NOTES	



PLASTEC VENTILATION, INC.

www.plastecvent.net

Phone: 941-751-7596

Fax: 941-751-7598

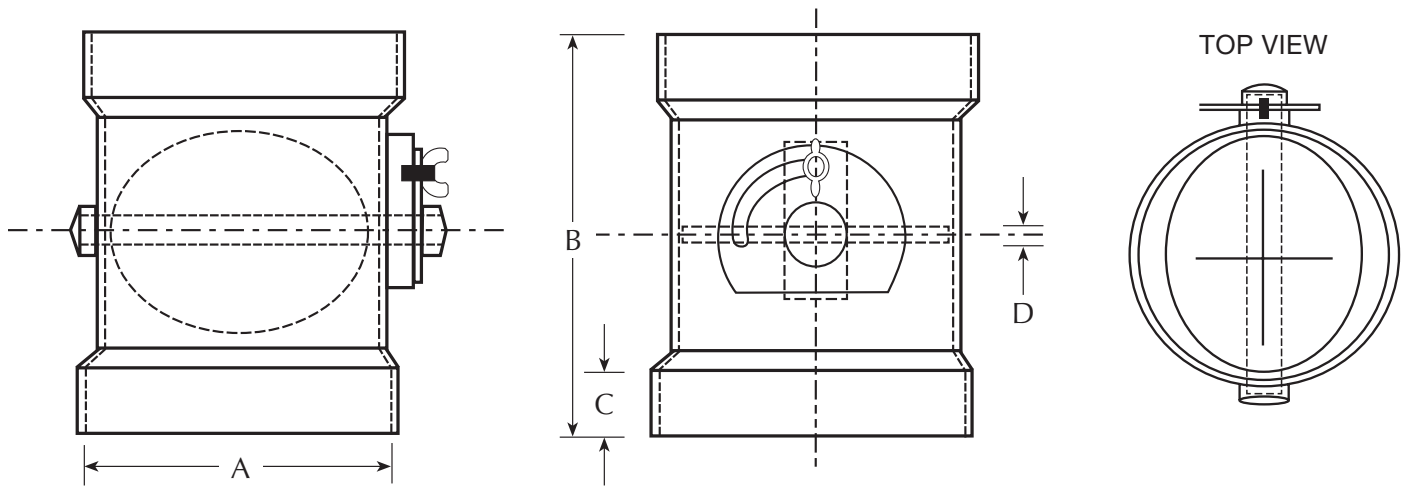
Submittal Data and Specifications

Adjustable Butterfly Dampers



DIMENSIONAL DATA (inches)						
Models						
	AD04	AD06	AD08	AD10	AD12	AD14
Size	4"	6"	8"	10"	12"	14"
D	0.19	0.19	0.19	0.19	0.19	0.19
C	2.00	2.25	2.50	2.50	2.75	2.75
B	8.50	9.50	10.50	11.75	12.75	13.75
A	4.50	6.63	8.63	10.75	12.75	14.00

For other sizes, consult Plastec.



Typical Utility Blower Roof Top Installation

