



# PLASTEC VENTILATION, INC.

www.plastecvent.net Phone: 941-751-7596 Fax: 941-751-7598

## Submittal Data and Specifications

### Back Draft Dampers, Vertical Gravity

#### Material of Construction and Temperature Limitation:

Body, damper plate and shaft shall be made of PVC. Back Draft Damper recommended up to 140° F.

#### Application:

Designed to operate in ducting where highly corrosive air is present. Designed to fit round schedule 40 PVC ducting or other construction materials as specified by the dimensions listed for each model damper.

#### Manufacturer:

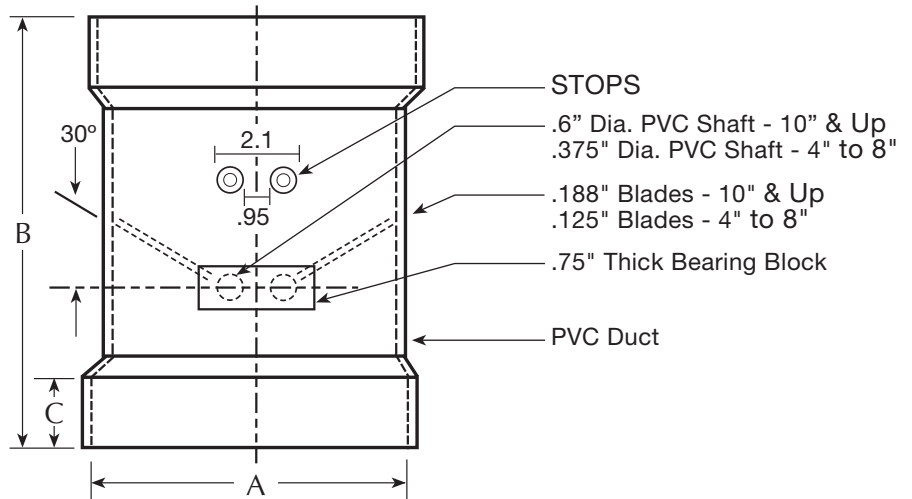
Shall be manufactured under the authority of Plastec Ventilation, Inc.

#### Shall have the following Features and Benefits:

- All internal parts are plastic
- Can be installed vertically only
- Shall have bell end sockets and shall have minimum socket depth of 2 inches or more except on the 4 inch model which will be 1.75 inches
- Allows for less than 5% airflow restriction
- Offers an approximate 95% seal

#### Warranty:

This equipment is warranted to be free from defects in material and workmanship for two years from date of original shipment. For the complete warranty agreement, see I, O & M on [www.plastecvent.net](http://www.plastecvent.net).



DIMENSIONAL DATA (inches)						
Models						
Size	BD04	BD06	BD08	BD10	BD12	BD14
A	4.50	6.625	8.625	10.75	12.75	14.00
B	8.50	9.50	10.50	11.75	12.75	13.75
C	2.25	2.25	2.50	2.50	2.75	2.75

Note: Dampers are designed to be self-closing when installed in a vertical position.

PROJECT			ARCHITECT			
CONTRACTOR	DATE	SUBMITTED BY		ENGINEER		
SPECIFICATION						
RELATED FAN POSITION	MODEL #	QTY	NOTES			