



# PLASTEC VENTILATION, INC.

www.plastecvent.net Phone: 941-751-7596 Fax: 941-751-7598

## Submittal Data and Specifications

### Roof Curb – Model CURBGV

**Material of Construction:**

Body is made of Galvanized Aluminum.

**Application:**

Designed for Plastec JET Series Fans and Models Plastec 15-30 Blower with Roof Unit Option in roof mounted configurations.

**Manufacturer:**

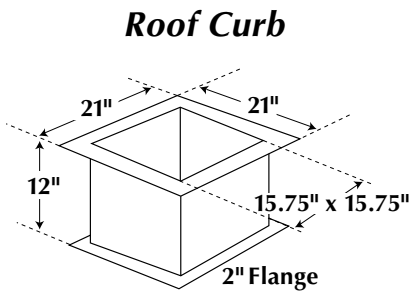
Shall be manufactured under the authority of Plastec Ventilation, Inc.

**Shall have the following Features and Benefits:**

- Constructed of Corrosive Resistant Galvanized Aluminum
- Designed for flat roof installations
- Insulated
- Wood Nailers
- Flanges

**Warranty:**

This equipment is warranted to be free from defects in material and workmanship for two years from date of original shipment. For the complete warranty agreement, see I, O & M on [www.plastecvent.net](http://www.plastecvent.net).

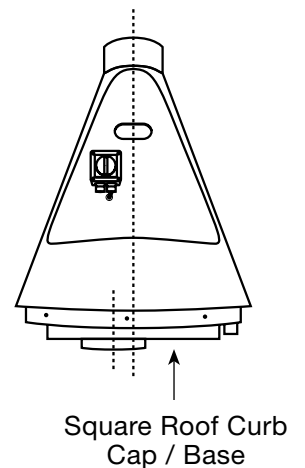


- 21" Square
- 12", 14", 18" & 24" Height
- 2" Flange Width

### Roof Unit Kit and Utility Blower



### JET Series



PROJECT			ARCHITECT
CONTRACTOR	DATE	SUBMITTED BY	ENGINEER
<b>SPECIFICATION</b>			
RELATED FAN POSITION	MODEL #	QTY	NOTES