



PLASTEC VENTILATION, INC.

www.plastecvent.net Phone: 941-751-7596 Fax: 941-751-7598

Submittal Data and Specifications

Jet Wall Mounting Bracket (WBJ)

Material of Construction:

All parts are constructed of 11 gauge **304 Stainless Steel**.

Application:

Provides rigid support for JET Series fans mounted on interior or exterior walls. Provides rigid support for inline duct mounted configurations.

Manufacturer:

Shall be manufactured under the authority of Plastec Ventilation, Inc.

Shall have the following Features and Benefits:

- Attractive design.
- Easy to install.
- Supplied mounting hardware to be stainless steel.
- Strong, durable, corrosion and rust resistant.

Warranty:

This equipment is warranted to be free from defects in material and workmanship for two years from date of original shipment. For the complete warranty agreement, see I, O & M on www.plastecvent.net.



PROJECT			ARCHITECT	
CONTRACTOR	DATE	SUBMITTED BY		ENGINEER
SPECIFICATION				
RELATED FAN POSITION	MODEL #	QTY	NOTES	

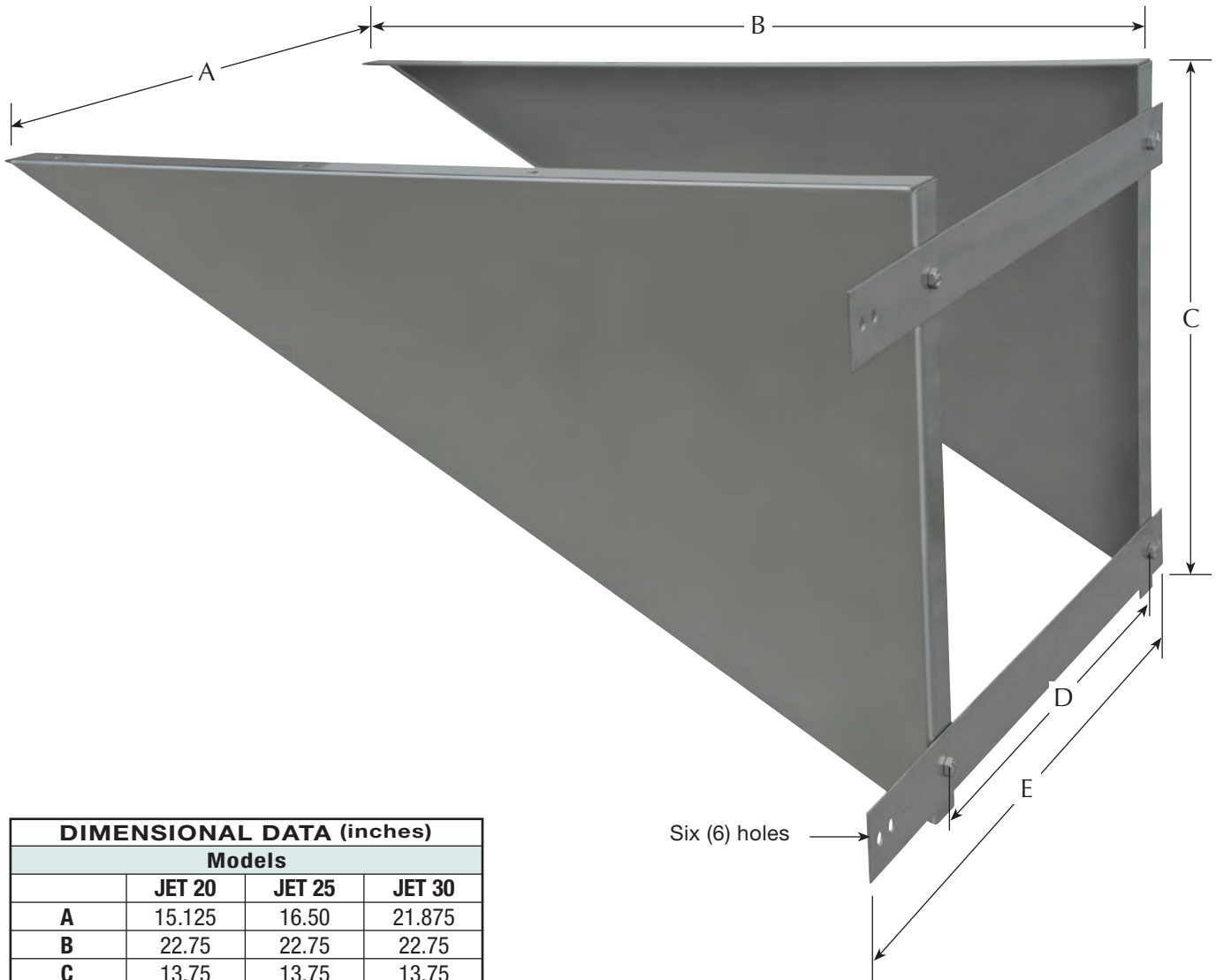


PLASTEC VENTILATION, INC.

www.plastecvent.net Phone: 941-751-7596 Fax: 941-751-7598

Submittal Data and Specifications

JET Series Wall Mounting Bracket



DIMENSIONAL DATA (inches)			
Models			
	JET 20	JET 25	JET 30
A	15.125	16.50	21.875
B	22.75	22.75	22.75
C	13.75	13.75	13.75
D	14.50	18.60	19.75
E	20.00	20.00	25.125